

## Silicon NPN Power Transistors

2SD1886

## DESCRIPTION

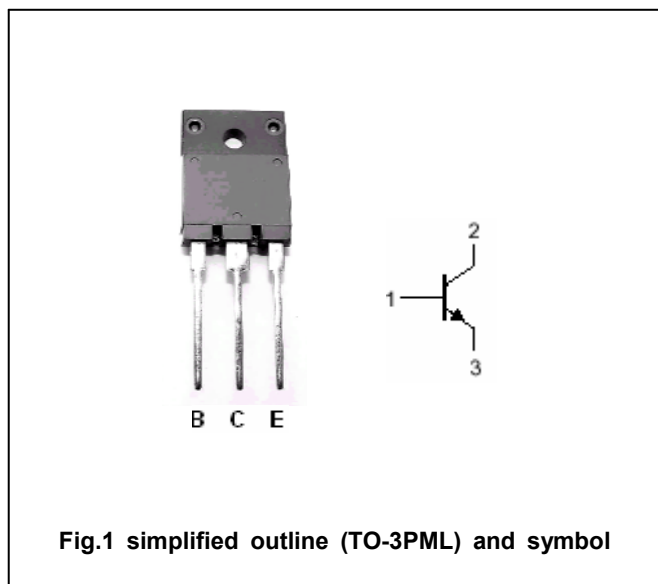
- With TO-3PML package
- High breakdown voltage
- High reliability
- High speed

## APPLICATIONS

- Color TV horizontal deflection output.
- Color display horizontal deflection output.

## PINNING

PIN	DESCRIPTION
1	Base
2	Collector
3	Emitter



## Absolute maximum ratings(Ta=25℃)

SYMBOL	PARAMETER	CONDITIONS	VALUE	UNIT
$V_{CBO}$	Collector-base voltage	Open emitter	1500	V
$V_{CEO}$	Collector-emitter voltage	Open base	800	V
$V_{EBO}$	Emitter-base voltage	Open collector	6	V
$I_C$	Collector current		8	A
$I_{CM}$	Collector current-peak		30	A
$P_C$	Collector power dissipation	$T_C=25^\circ\text{C}$	70	W
$T_j$	Junction temperature		150	℃
$T_{stg}$	Storage temperature		-55~150	℃

## Silicon NPN Power Transistors

## 2SD1886

## CHARACTERISTICS

T<sub>j</sub>=25°C unless otherwise specified

SYMBOL	PARAMETER	CONDITIONS	MIN	TYP.	MAX	UNIT
V <sub>CEsat</sub>	Collector-emitter saturation voltage	I <sub>C</sub> =6A; I <sub>B</sub> =1.2 A			5	V
V <sub>BEsat</sub>	Base-emitter saturation voltage	I <sub>C</sub> =6A; I <sub>B</sub> =1.2 A			1.5	V
V <sub>CEO(SUS)</sub>	Collector-emitter sustaining voltage	I <sub>C</sub> =100mA; I <sub>B</sub> =0	800			V
I <sub>EBO</sub>	Emitter cut-off current	V <sub>EB</sub> =4V; I <sub>C</sub> =0			1	mA
I <sub>CBO</sub>	Collector cut-off current	V <sub>CB</sub> =800V; I <sub>E</sub> =0			10	μA
I <sub>CES</sub>	Collector cut-off current	V <sub>CE</sub> =1500V; R <sub>BE</sub> =0			1	mA
h <sub>FE-1</sub>	DC current gain	I <sub>C</sub> =1 A ; V <sub>CE</sub> =5V	8			
h <sub>FE-2</sub>	DC current gain	I <sub>C</sub> =6A ; V <sub>CE</sub> =5V	5		10	
t <sub>f</sub>	Fall time	I <sub>C</sub> =6A; R <sub>L</sub> =33.3Ω; I <sub>B1</sub> =1.2A I <sub>B2</sub> =-2.4A V <sub>CC</sub> =200V		0.1	0.3	μs

Silicon NPN Power Transistors

2SD1886

PACKAGE OUTLINE

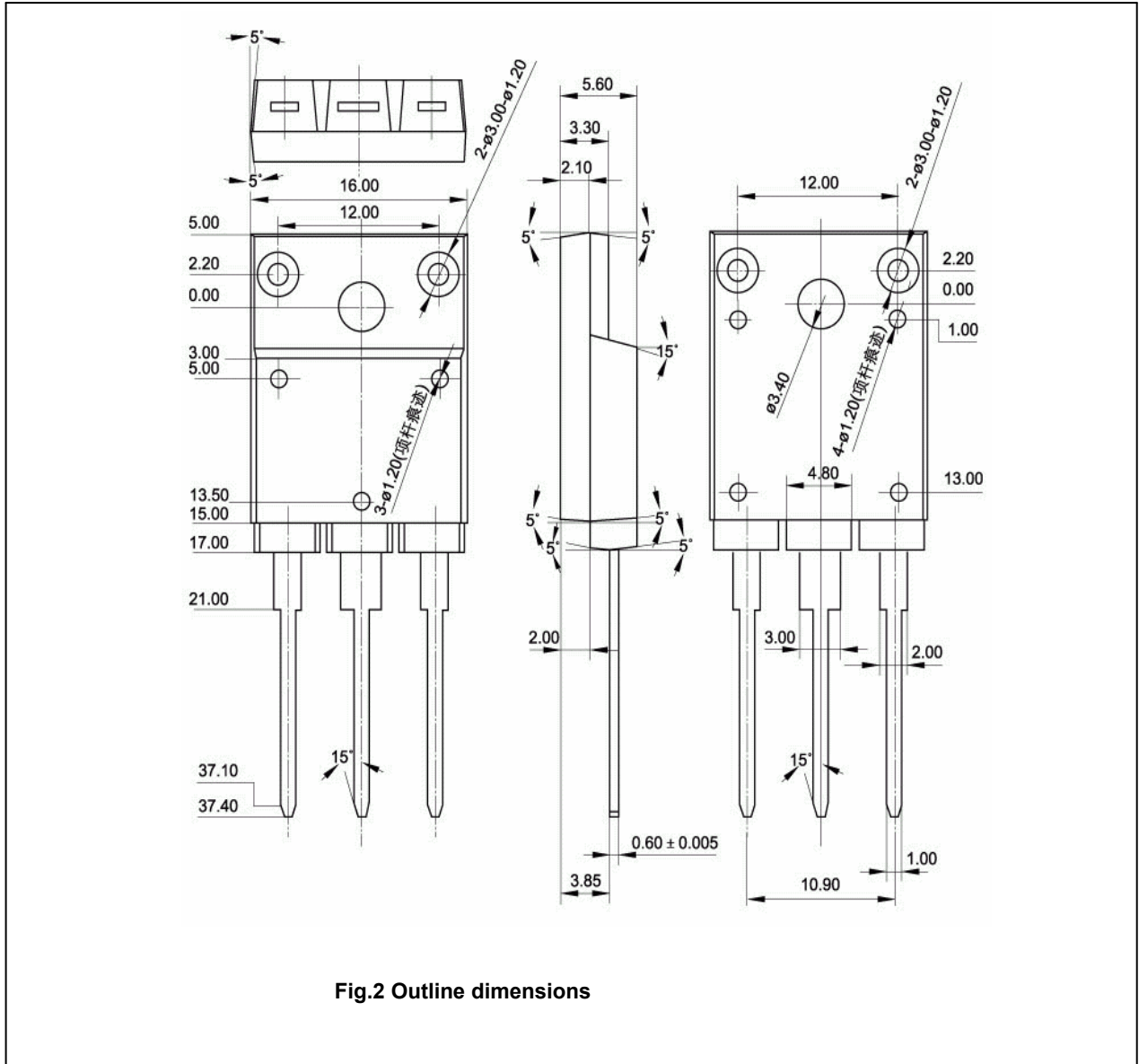


Fig.2 Outline dimensions

Silicon NPN Power Transistors

2SD1886

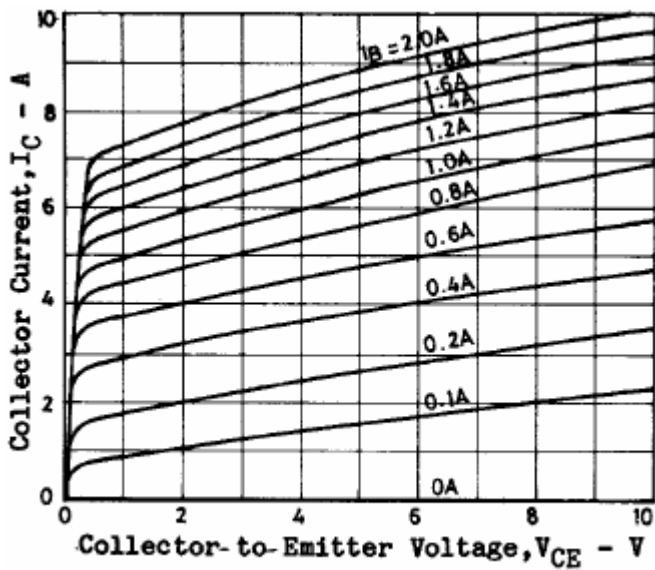


Fig.3 Static Characteristic

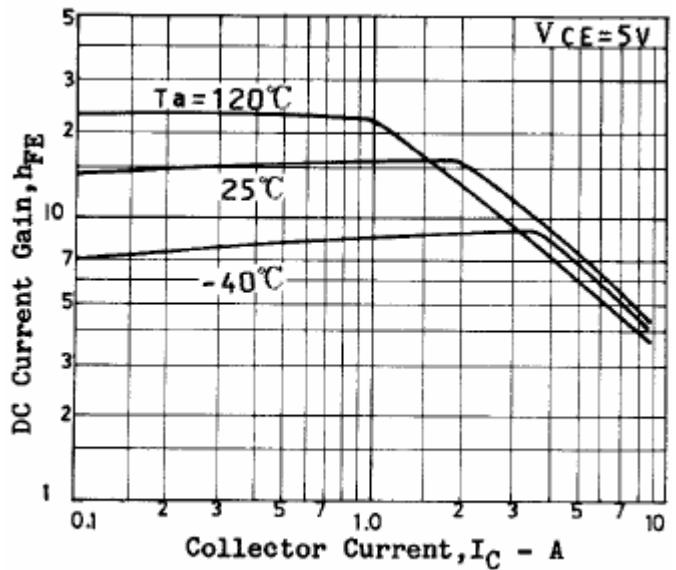


Fig.4 DC current Gain

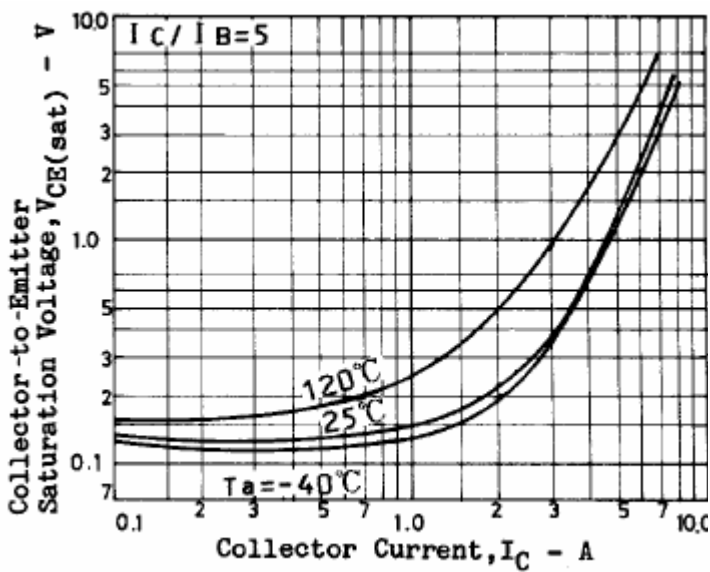


Fig.5 Collector-Emitter Saturation Voltage

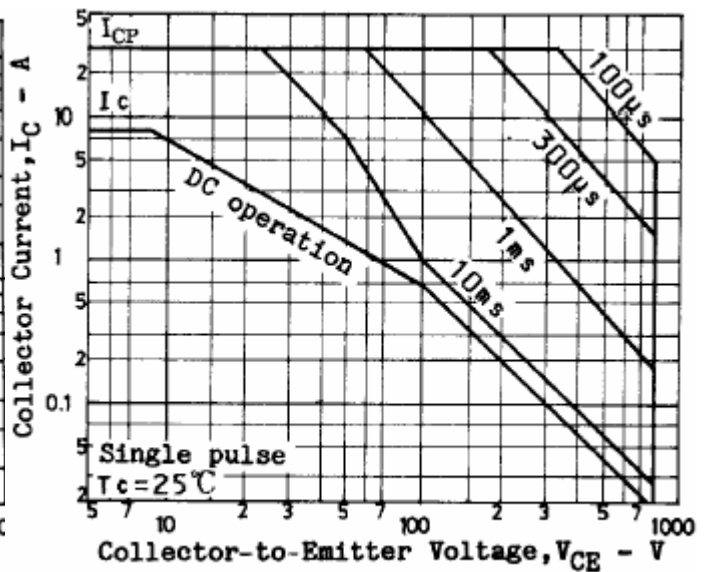


Fig.6 Safe Operating Area